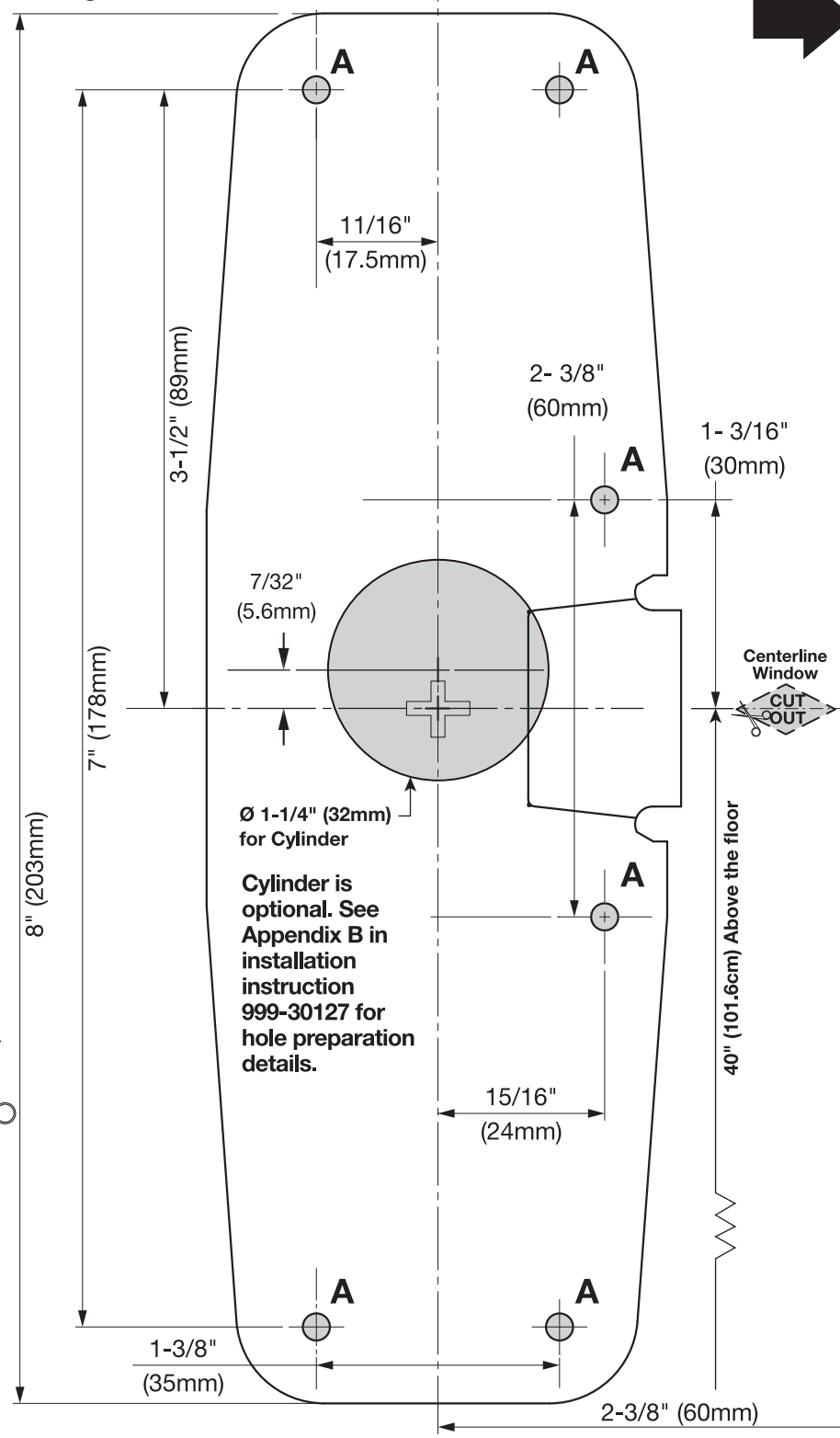
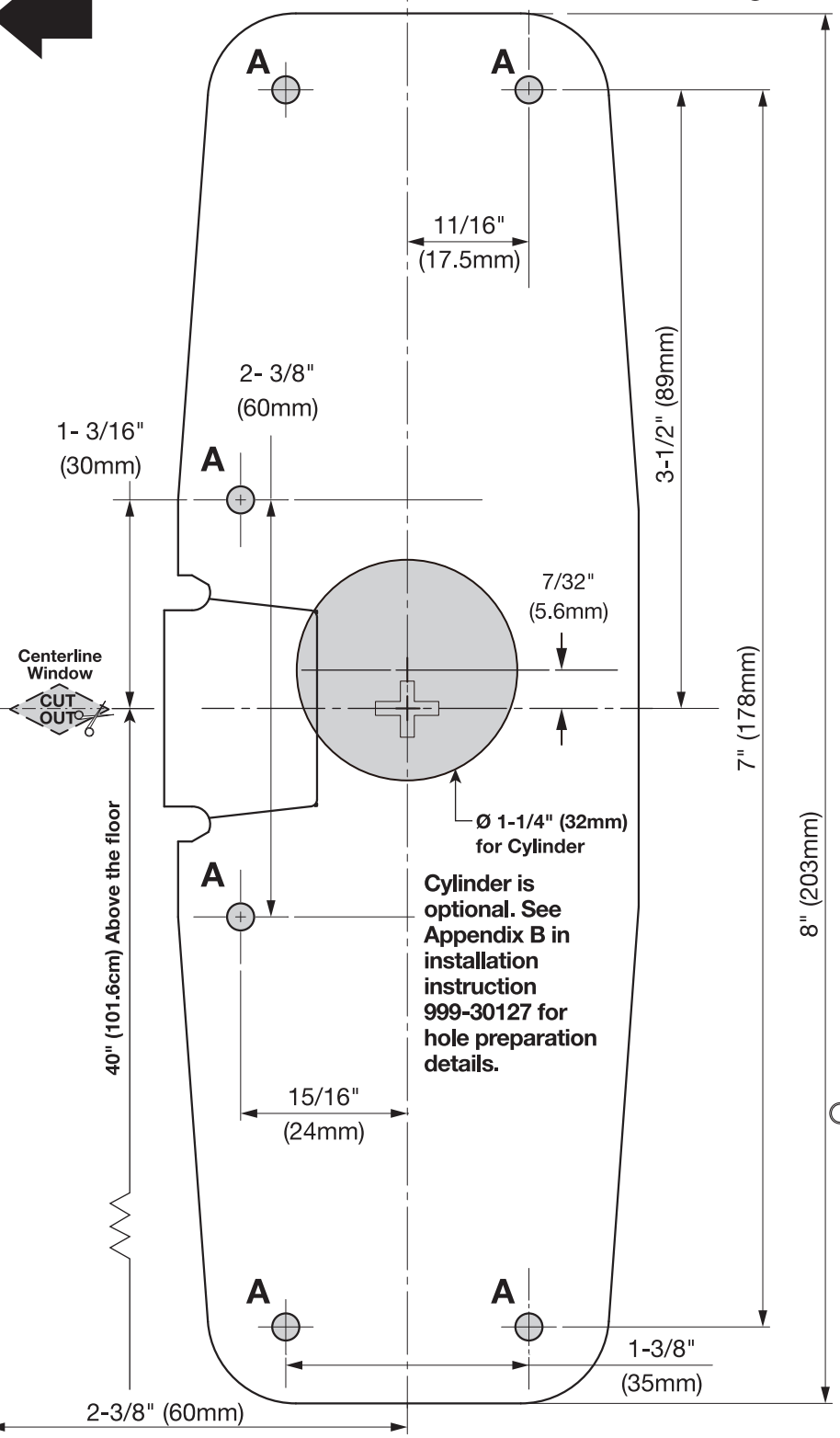
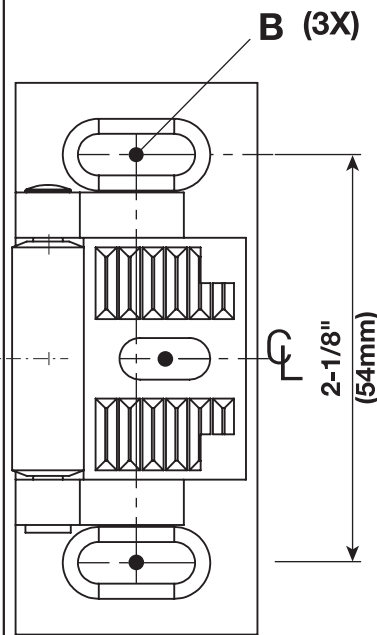
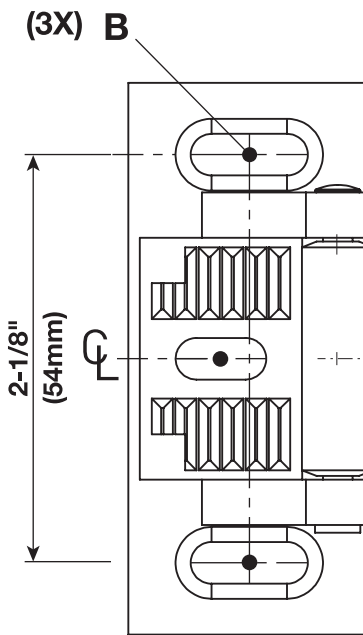


FOR INFORMATION ON FASTENER SELECTION, HOLE DIAMETERS AND DEPTHS, SEE APPENDIX C IN INSTALLATION INSTRUCTION 999-30127



INSTALLATION TEMPLATE FOR M91P RIM EXIT DEVICE

999-30128

©2025 Hampton Products International Corp.
50 Icon, Foothill Ranch, CA 92610-3000
Customer Support: 1-866-LOCK-PRO (1-866-562-5776)
www.hamptonproducts.com
999-30128_M91P_TEMPLATE REV09/25